

ST-HDC5FTD-CNV-2.8 | ST-HDC5FTD-CNV

5MP Chroma 4 in 1 Fixed Lens Turret Dome Camera

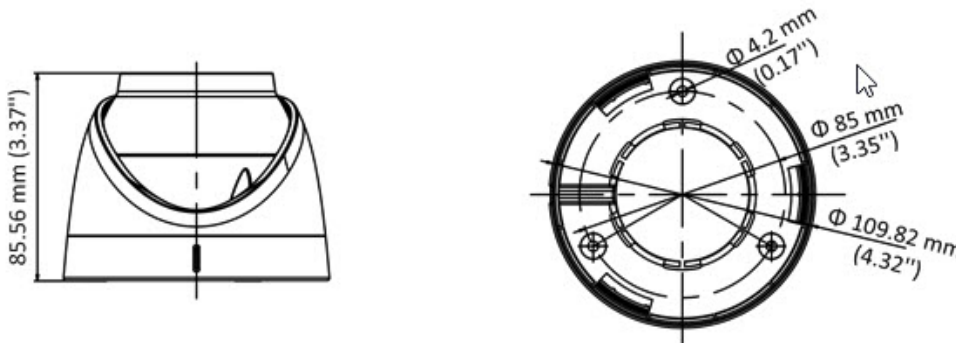
The Chroma series provides 24/7 color night vision capturing color images or video in low lit locations while standard IR cameras would automatically shift to black and white mode. With Chroma technology it is easy to identify clothing color, hair color, license plates and vehicles with clear color images whether day or night and with vivid detail. This camera is a high definition 5MP Turret dome with 4 in 1 TVI/AHD/CVI/CVBS switchable connectivity. It is available in both 2.8mm & 3.6mm fixed lens, and can easily be integrated into any existing coax infrastructure or new commercial or residential install.



Key Features

- 5 MP
- 2560 × 1944 resolution
- 24/7 Full Time Color
- 2.8/3.6 mm fixed lens
- Light Range: Up to 65' (20m)
- 120dB True WDR
- 4 in 1 video output (switchable TVI/AHD/CVI/CVBS)
- Up the Coax (UTC)
- IP67

Dimensions



Available Accessories



Wall Mount
ST-WM5



Junction Box
ST-JB4



ST-HDC5FTD-CNV-2.8 | ST-HDC5FTD-CNV

5MP Chroma 4 in 1 Fixed Lens Turret Dome Camera

Camera	
Image Sensor	5 MP CMOS
Signal System	PAL/NTSC
Resolution	2560 (H) × 1944 (V)
Frame Rate	TVI: 5MP@20fps, 4MP@30fps, 4MP@25fps, 1080p@30fps, 1080p@25fps CVI: 4MP@30fps, 4MP@25fps AHD: 5MP@20fps, 4MP@30fps, 4MP@25fps CVBS: PAL/NTSC
Min. illumination	0.0005 Lux @ (F1.0, AGC ON), 0 Lux with White Light
Shutter Time	PAL: 1/25 s to 1/50, 000 s NTSC: 1/30 s to 1/50, 000 s
Slow Shutter	Max. 16 times
Lens	2.8, 3.6 mm fixed lens
Horizontal Field of View	99.7° (2.8 mm), 80.1° (3.6 mm)
Lens Mount	M16
Strobe Light Alarm	Yes
Day & Night	Color
WDR (Wide Dynamic Range)	≥130 dB
Angle Adjustment	Pan: 0 to 360°, Tilt: 0 to 75°, Rotation: 0 to 360°

Menu	
White Light	Auto/Off
Image Mode	STD/HIGH-SAT
AGC	Yes
Day/Night Mode	Color
White Balance	Auto/Manual
AE (Auto Exposure) Mode	WDR/BLC/HLC/Global/HLS/Anti-banding
Privacy Mask	4 programmable privacy masks
Motion Detection	4 programmable motion areas
Noise Reduction	3D DNR
Language	English
Function	Brightness, Sharpness, Mirror, Smart Light

Interface	
Video Output	Switchable TVI/AHD/CVI/CVBS
General	
Operating Conditions	-40 °F to 140 °F (-40 °C to 60 °C), humidity: 90% or less (non-condensing)
Power Supply	12 VDC ±25% *You are recommended to use one power adapter to supply the power for one camera.
Power Consumption	Max. 3.5 W
Protection Level	IP67
Material	Main Body: Metal Enclosure: Plastic
White Light	Up to 65' (20m)
Communication	UTC (Up the coax)
Dimensions	Ø 4.32" × 3.37" (Ø 109.82 mm × 85.56 mm)
Weight	Approx. 0.77 lb. (350 g)
Warranty	2-Year Limited Fixed Camera Warranty